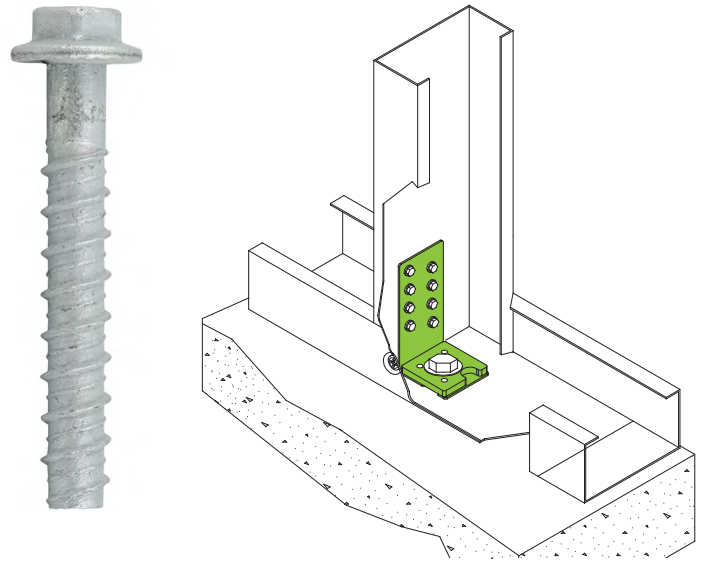


The FRAMECAD® ScrewBolt is a medium tensile fastener for securing fixtures hold-down to concrete



Main Applications

- Securing stud hold-down bracing hardware (including FRAMECAD® Code 009815) to concrete slab
- Securing hardware to tilt-up concrete slabs

Features and Benefits

- Improved thread helix for higher pull-out loads
- Grooved/notched thread for smoother driving & reduced demand on installation tools
- Speedy installation process
- Easy to remove with no fastener material left behind
- May be reused 3-5 times
- May be installed with impact wrenches
- Suitable for varying thicknesses of fixture
- Causes minimal expansion stress to hole in concrete slab

Compliance and Manufacturing

- ISO 9001
- ISO 14001
- ISO 14064
- TSI 16949



Contact us at www.framecad.com

Installation Guidelines:

1. Drill hole to specified diameter and depth. Clean properly by brush. Clear hole of fine debris with vacuum/ hand pump, or compressed air.
2. Screw the FRAMECAD® ScrewBolt into the cleaned hole beginning with low speed until thread has begun to set into the hole
3. Tighten the FRAMECAD® ScrewBolt to the specified setting torque. If resistance is too high, reverse one turn and re-tighten. (Over tightening may damage the inside surface of the hole.)

Tip:

Periodically test the diameter of a finished hole after drilling to ensure easy installation of ScrewBolt. Worn drill bits may drill under-sized holes making ScrewBolt installation difficult.



Code	Carton Qty.	Bolt Dia.	Bolt Length	Concrete Hole Dia.	Setting Torque (Nm)	Hex Head Size A/F
310019	50	M8	75	8	40	12
310020	25	M10	75	10	60	14
310021	25		100			
310022	25	M12	75	12	80	17
310023	25		100			
310024	25		120			
310025	25		150			

Code	Bolt Dia.	Bolt Length	Fixture Thickness	Hole Depth	Min Concrete Thickness	Min Hole to Slab Edge Distance	Tensile (kN) Capacity in 20 MPa Concrete	Tensile (kN) Capacity in 32 MPa Concrete	Tensile (kN) Capacity in 40 MPa Concrete
310019	M8	75	5	75	100	32	11.4	13.4	14.5
			20	60	85	32	8.3	9.8	10.6
310020	M10	75	5	75	100	40	12.6	14.8	16.0
			25	55	80	40	11.3	13.4	14.5
310021	M10	100	5	100	125	40	19.3	22.8	24.6
			25	80	105	40	13.9	16.3	17.7
310022	M12	75	5	75	100	48	14.0	16.6	17.9
			15	65	90	48	11.2	13.2	14.3
310023	M12	100	5	100	125	48	21.9	25.9	28.0
			20	85	110	48	17.1	20.1	21.8
310024	M12	120	5	120	145	48	25.8	31.4	32.8
			25	100	125	48	21.3	25.1	27.2
310025	M12	150	5	150	175	48	40.7	47.9	51.8
			45	110	135	48	25.4	29.9	32.4

All dimensions in millimeters (mm)



Contact us at www.framecad.com